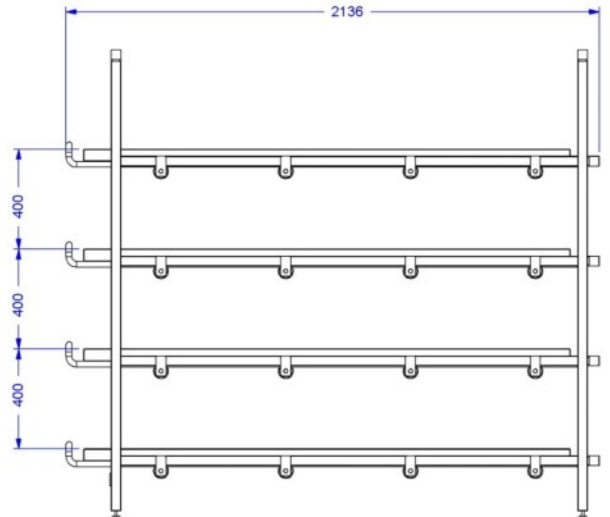




## Mortuary Products

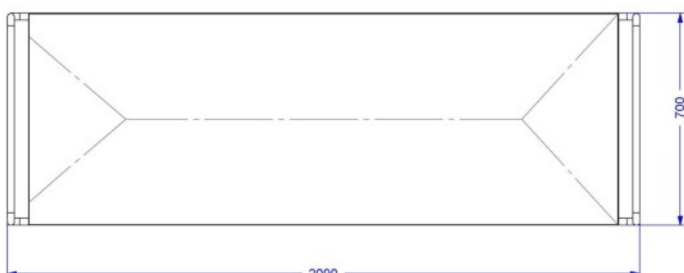
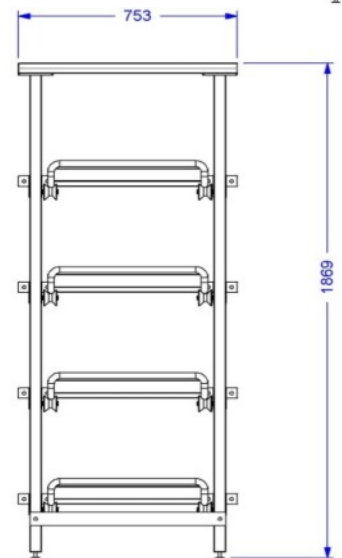


# MORTUARY MODULAR FRAMES AND BODY TRAYS



## SPECIFICATIONS:

- Manufactured from 304 medical grade stainless steel.
- 40 x 40 x 1.5mm gauge square tubing with 3mm gussets.
- Modular design. Can be assembled according to layout and specification.
- Solid grade 304 stainless steel roller shafts.
- Nylon rollers to suit body tray handling.
- Adjustable grade 304 stainless steel feet.



## BODY TRAY SPECIFICATIONS:

- Manufactured from medical grade 304 stainless steel.
- Designed to fit Modular frame design and hydraulic trolley

Standard Body Tray: 2090 x 550 x 90mm

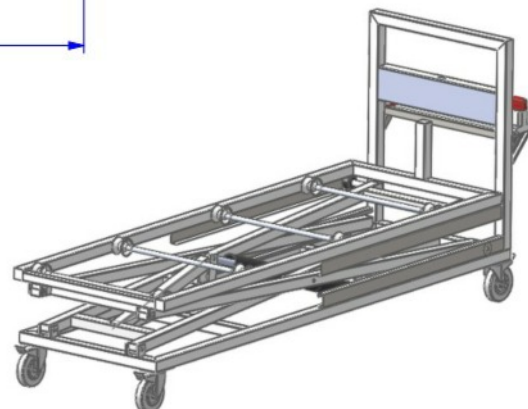
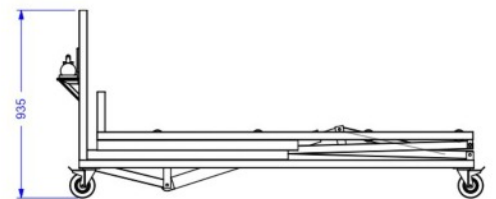
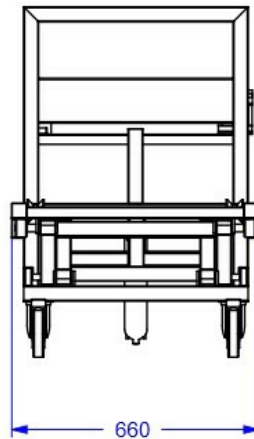
Obese Body Tray: 2090 x 700 x 90mm

# MORTUARY HYDRAULIC JACK TROLLEY



## SPECIFICATION:

- Manufactured from medical grade 304 stainless steel.
- 40 x 40 x 1,5mm gauge structural square tubing.
- Solid grade 304 stainless steel roller shafts.
- Nylon rollers to suit body tray handling.
- Manual pump action UP, semi automatic lowering DOWN.
- Anti Static Castors.
- Max load capacity of 400Kg





## MEDI SPEC AFRICA

Tel (021) 8220657

Fax: (086) 5146053

Enquiry: [chris@medispec.co.za](mailto:chris@medispec.co.za)

[tanya@medispec.co.za](mailto:tanya@medispec.co.za)

### **Cape Town**

Unit 6A Donnington Street  
Killarney gardens  
Cape Town 7441

### **Johannesburg (Factory)**

Stand 101, Doornrandje,  
R511, Centurion 0157

#### DISCLAIMER

The information and dates supplied in this brochure are based on information believed to be reliable at the time of print. However this information is not binding and inaccuracies may occur. Medispec Africa reserves the right to change specifications and designs at any time without notice.