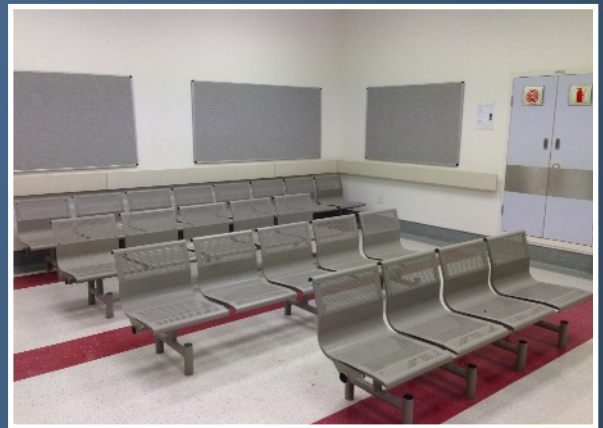
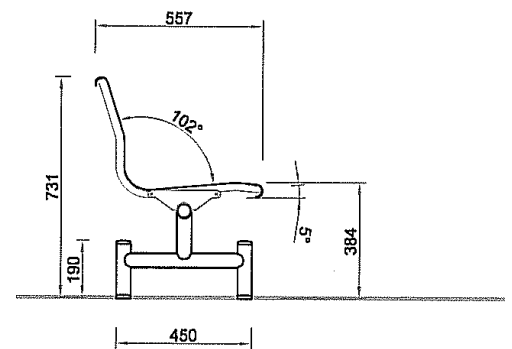
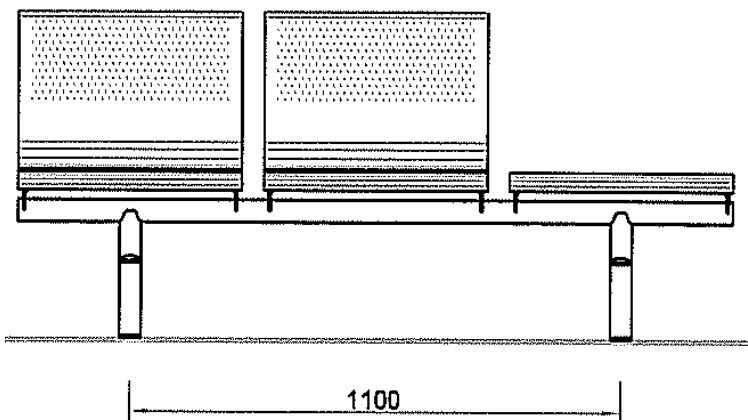
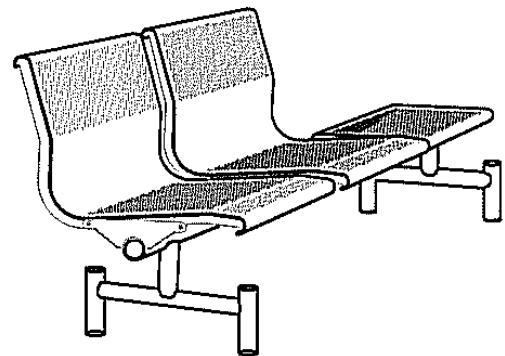
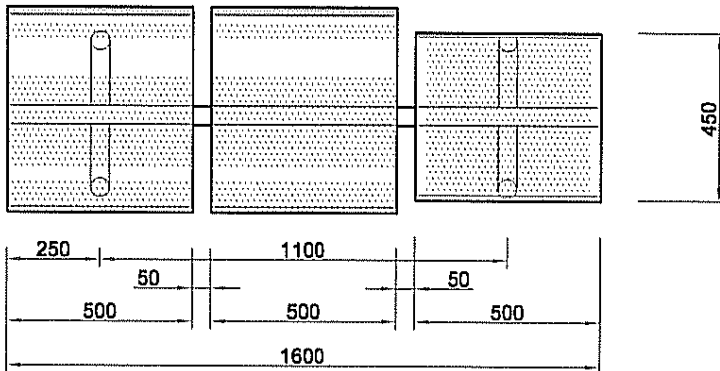




PUBLIC SEATING



PUBLIC SEATING



Medispec's range of public seating has been designed to withstand the rigours experienced within public waiting areas in South Africa. Our seating units are completely modular and all components are kept in stock if any replacement parts are needed.

Along with our standard range of seating, our seating units can be customised to suit the layout and design of a specific facility.

STANDARD SIZES

2 Berth	1050mm in length
3 Berth	1600mm in length
4 Berth	2150mm in length
5 Berth	2700mm in length
6 Berth	3250mm in length

PUBLIC SEATING

Medispec's Public seating units are manufactured from 1.6mm iron phosphate treated mild steel or grade 304 stainless steel.

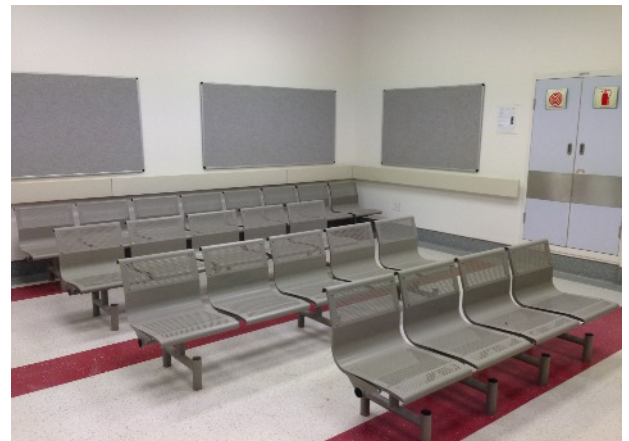
The front and back edges of the seating and table panels are profiled with a 38mm diameter bull nose.

The units are complete with a backrest of 360mm high and a seating section of 438mm. The seat panels are profiled to international ergonomic standards.

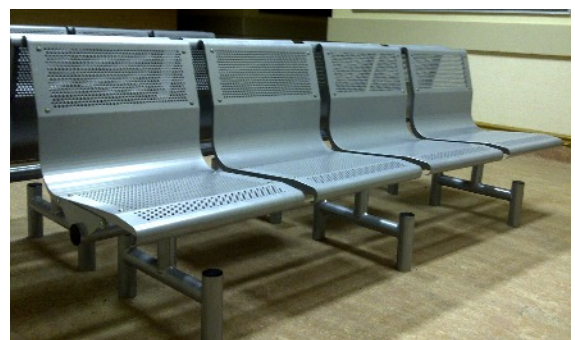
Tables are manufactured to match the seats in the same material and profile.

Seats and tables can be interchanged allowing for versatility in the seating layout.

Seats are mounted on a 50x2.5mm structural tubular pipe by means of a 5x20mm stiffener brace. The feet will be 50mm structural tube with a wall thickness of 2mm and will allow hidden provision for fixing to the floor by means of rawl bolts.



- Seat Panels and tables are fully interchangeable.
- Available in any choice of colour.
- Available in Mild steel or Stainless Steel seat panels.
- Secured to the floor via mounting brackets in the foot allowing for a neat finish with no visible rawl bolts.
- Variety of sizes available between 2 seater and 6 seater.





MEDI SPEC AFRICA

Tel (021) 8220657

Fax: (086) 5146053

Enquiry: chris@medispec.co.za

tanya@medispec.co.za

Cape Town

Unit A6 Donnington Street
Killarney Gardens
Cape Town, 7441

Johannesburg

Stand 101, Doornrandje,
R511, Centurion 0157

DISCLAIMER

The information and dates supplied in this brochure are based on information believed to be reliable at the time of print. However this information is not binding and inaccuracies may occur. Medispec Africa reserves the right to change specifications and designs at any time without notice.